

Multi-use silicone face masks with headgear for comfortable leak-free resting and exercise gas exchange measurements



- ▶ 5 sizes (3 Adult and 2 Pediatric)
- ▶ Available also with inspiratory valve for high performance exercise testing
- ▶ Reusable and easily disinfected for multiple use
- ▶ Anatomical design for leak free and comfortable fit
- ▶ Integrated chin cup for stability
- ▶ Perfect adherence to any face shape
- ▶ Easy to clean and sterilize

The reusable face masks by COSMED are the best solution for testing (at rest or during exercise test) with maximum patient comfort even during long testing sessions (2-3 hours) and at any exercise intensity.

Made of silicone rubber (no latex or other allergic material) the mask guarantees maximum seal and no air leaks.

The face mask has an anatomically contoured design with resilient ribbed support structure for a leak free comfortable fit and integrated chin cup for stability.

Five sizes of face pieces are available to cover a wide range of patient sizes (3 adult and 2 paediatric).

Possibility to have face mask models with inspiratory valves, which reduce inspiratory resistance during high performance exercise.

Mounting and dismounting of headgear is made simple thanks to the new quick-release 5 strap clips.

Easily adjustable, light weight, 5 strap Headgear for patient comfort, available in three sizes.

The face mask can be easily cleaned and sterilised: steam autoclaveable, cold chemical, pasteurization and dishwasher safe.





Internal testing shows significant reduced inspiratory resistance starting already from 80 Liter/min. At 150 L/m resistance to flow is 1/2 compared with masks without valves.



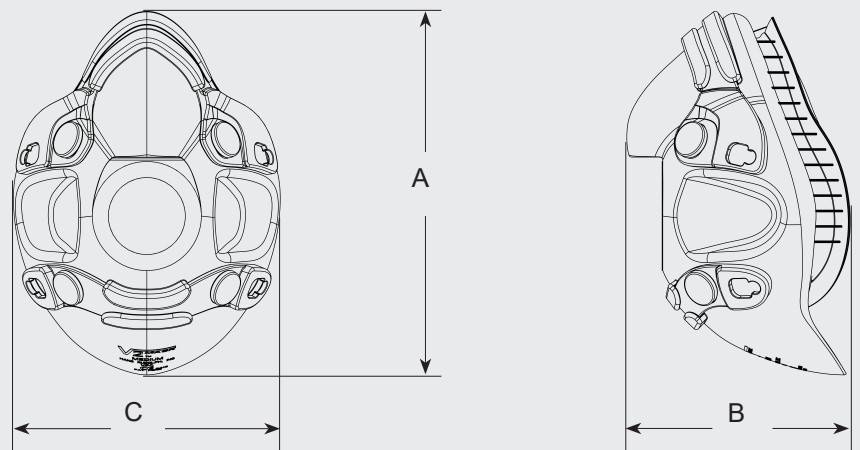
Face masks without inspiratory valves are recommended when performing Exercise Flow/Volume Loops (EFVL).



RMR testing with pediatric face mask.

Technical specifications

V2 Mask					
for Turbine 2000 w/ Inspiratory Valve		Application	Compatible Products		
C04324-01-10	Small	Valves reduce inspiratory resistance, ideal for Performance testing.	K5, Quark CPET, Quark PFT, K4 b ² , Quark b ²		
C04324-02-10	Medium				
C04324-03-10	Large				
C04324-04-10	X-Small				
for Turbine 2000 w/o Inspiratory Valve					
C03701-01-10	Small	For clinical or performance applications. Required when EFVL (Exercise flow volume loops) must be captured.	K5, Quark CPET, Quark PFT, K4 b ² , Quark b ²		
C03702-01-10	Medium				
C03703-01-10	Large				
C03704-01-10	X-Small				
C03705-01-10	Petite				
for VO ₂ max flowmeter w/o Inspiratory Valve					
C03611-01-10	Small	For clinical or performance applications.	Fitmate PRO, Fitmate MED, Spiropalm 6MWT		
C03612-01-10	Medium				
C03613-01-10	Large				
C03616-01-10	X-Small				
C03620-01-10	Petite				
for RMR flowmeter w/o Inspiratory Valve					
C03617-01-10	Small	For Resting applications only.	Quark RMR, Fitmate line, Quark PFT (REE), Quark CPET (REE)		
C03618-01-10	Medium				
C03619-01-10	Large				
C03614-01-10	X-Small				
C03615-01-10	Petite				
Head Cap					
A-800-900-023	Head cap adult for Small or Medium				
A-800-900-022	Head cap adult for Large				
A-800-900-024	Head cap for Extra Small or Petite				
Materials					
Face Piece with Structural Braces		Silicone Rubber (blue), Polycarbonate Thermoplastic			
Headgear		Polyurethane Foam (black), Nylon UBL (gray) and Nylon Fabric (red)			
Biocompatibility		Statement 10993-1			
Headgear Hook		Nylon, black			
Headgear Strap Clips (4), Tri-glide		Polypropylene, black			
Custom Mask Adapters		Polycarbonate Thermoplastic			
Mask face Piece Sizes					
Dimensions	Large (L)	Medium (M)	Small (S)	Extra Small (ES)	Petite (P)
A (in/cm)	5.9/15	5.6/14,2	5.2/13,2	4.8/12,2	4.6/11,7
B (in/cm)	3.7/9,4	3.4/8,6	3.2/8,1	3.1/7,8	3.0/7,6
C (in/cm)	4.2/10,6	4.2/10,6	4.0/10,2	3.9/10	3.9/10
Deadspace (ml)	143	125	99	88	78
Weight (gr)	128	118	100	89	83



COSMED
The Metabolic Company

COSMED Srl

Via dei Piani di Monte Savello 37
Albano Laziale - Rome 00041, Italy

+39 (06) 931-5492 Phone

+39 (06) 931-4580 Fax

info@cosmed.com | cosmed.com